



AKRAPOVIC SLIP-ON EXHAUST SYSTEM for the KAWASAKI ZX-6R (2009)

Congratulations on purchasing an Akrapovic exhaust system. Please read these installation instructions carefully. If you have any trouble installing the system please contact your authorized dealer!

IMPORTANT INFORMATION

Exclusion of Certain Liability

1. The manufacturer, importer or dealer shall not be liable for any incidental damage including personal injury or any other damages caused by improper installation or operation of the Akrapovic exhaust system. When installing the Akrapovic exhaust system be careful that the exhaust system does not touch other parts sensitive to high temperature.
2. Akrapovic makes no representation or warranties with regard to damage caused by the improper installation, use and maintenance of the Akrapovic exhaust system. The warranty is limited to defects recognized by our technical department and to normal use, and excludes items subject to normal wear (gaskets and damping wool). The guarantee is void in case of accident, modification, improper or competition use.
3. Do not attempt to install the Akrapovic exhaust system on a motorcycle for which it was not made or tested by Akrapovic.
4. When the exhaust system gets very hot during operation, be careful not to burn yourself on the exhaust system or parts which are in direct contact with it, even when the motor is not running. Also protect other people, especially children, from the injuries mentioned above.
5. In some cases Akrapovic exhaust system kits contain chemical products (ceramic anti-seizing grease; bolt sealant). Handle with care, do not inhale or swallow. Avoid excessive contact with skin, eyes or mucous membranes. Keep out of reach of children.
6. Technical specifications of Akrapovic exhaust systems and related products subject to change without notice.

Trademarks

The Akrapovic Exhaust System Technology logo is a registered trademark of Akrapovic d.d.

Akrapovic website

Information about Akrapovic exhaust systems and related products is available on the Akrapovic website at:

<http://www.akrapovic.com/>

Copyright


No part of the Akrapovic exhaust system or its documentation may be reproduced or distributed in any form or by any means without the prior written authorization of the Akrapovic company.

© Akrapovic, d.d. All rights reserved.


Symbols

The following symbols are used throughout these installation instructions:



 **USE BOLT SEALANT;** Apply 3 to 4 small drops of bolt sealant onto the cleaned and degreased threads before tightening bolts. **WARNING! Avoid contact with skin, eyes and mucous membranes. Do not inhale fumes. Keep out of the reach of children.**

 **USE ANTI-SEIZING GREASE (white tube);** Prevents seizing, corrosion and excessive wear between the titanium components of your exhaust system. **WARNING! Avoid eye contact. Avoid excessive skin contact. Keep out of the reach of children.**

 **USE ANTI-SEIZE LEAD-FREE COPPER PASTE (black tube);** Provides trouble-free and long-lasting protection against seizing, corrosion and rusting of bolts, threaded ends, nuts, joints, etc. Also protects against vibration, wear and impact. **WARNING! Avoid eye contact. Avoid excessive skin contact. Keep out of the reach of children.**


INSTALLATION INSTRUCTIONS

 BEFORE INSTALLING CHECK SCHEMATIC OF THE EXHAUST SYSTEM!

! IF ANY ITEMS IN THE AKRAPOVIC EXHAUST SYSTEM PACKAGE ARE MISSING PLEASE CONTACT YOUR AUTHORIZED DEALER. KEEP THE SCHEMATIC FOR FUTURE REFERENCE.

! THESE INSTALLATION INSTRUCTIONS MUST BE READ CAREFULLY IN ORDER TO ENSURE PROPER INSTALLATION AND OPERATION OF THE AKRAPOVIC EXHAUST SYSTEM.

! THE EXHAUST SYSTEM CAN BE EXTREMELY HOT. ALLOW THE MOTORCYCLE TO COOL DOWN BEFORE BEGINNING INSTALLATION.

 WE ADVISE YOU TO LEAVE INSTALLATION TO A QUALIFIED SERVICEMAN. IMPROPER INSTALLATION MAY RESULT IN A SHORTER LIFETIME OF THE EXHAUST SYSTEM AND/OR DAMAGE TO THE MOTORCYCLE.



T-handle 8 mm wrench
T-handle 10 mm wrench
T-handle 12 mm wrench
T-handle 10 mm swiveling wrench
T-handle 12 mm swiveling wrench
T-handle 4 mm three hexagon key wrench
T-handle 5 mm three hexagon key wrench
Combination 8 mm wrench
Combination 8 mm wrench
Combination 15 mm wrench
Spring puller

REMOVAL OF STOCK EXHAUST SYSTEM:

1. Put the motorcycle on a side stand, we recommend a racing stand. Make sure, that surface is solid and flat.
2. Unscrew and remove fuel tank side panels and rider's seat (**Figure 1, 2, 3, 4**).



Figure 1



Figure 2



Figure 3



Figure 4

3. Slide the rubber protection off the cable adjusters (**Figure 5**). Loosen the nuts and shorten the adjusters (**Figure 7**).
WARNING: measure (**Figure 6**) or mark the distance on both adjusters so you can adjust them after installation of Akrapovic exhaust system!



Figure 5



Figure 6



Figure 7

4. For OPEN SLIP-ON only: remove the safety pin and cables from the exhaust valve servo motor (**Figure 8, 9**).
WARNING: do not turn the servo motor wheel with force (only by ignition key switching!) or the servo motor could be damaged!
WARNING: do not remove or disconnect the servo motor!



Figure 8



Figure 9

5. Unscrew the bolts and remove the stock heat shield (Figure 10, 11).



Figure 10



Figure 11

6. For **STREET LEGAL SLIP-ON** only: unscrew the nuts and remove both cables from the stock exhaust valve (Figure 12, 13). Unscrew the bolt from the metal clamp at the muffler - catalytic converter box joint and muffler sub-frame bracket and remove the stock muffler (Figure 14, 15, 16).
WARNING: before removing, mark the cables, so they can't be swapped!



Figure 12



Figure 13



Figure 14



Figure 15



Figure 16

7. **For OPEN SLIP-ON only:** unscrew the bolt from the metal clamp at the muffer - catalytic converter box joint and muffer sub-frame bracket. Remove the muffer together with exhaust valve cables (**Figure 17, 18, 19**).
WARNING: be careful not to damage the cables or any other part of the motorcycle during removal!



Figure 17



Figure 18



Figure 19

8. For OPTIONAL LINK PIPE only: unscrew and remove the stock heat shield (Figure 20, 21, 22, 23).



Figure 20



Figure 21



Figure 22



Figure 23

9. For OPTIONAL LINK PIPE only: unscrew and remove the lower part of the cowling (Figure 24, 25, 26, 27, 28, 29).

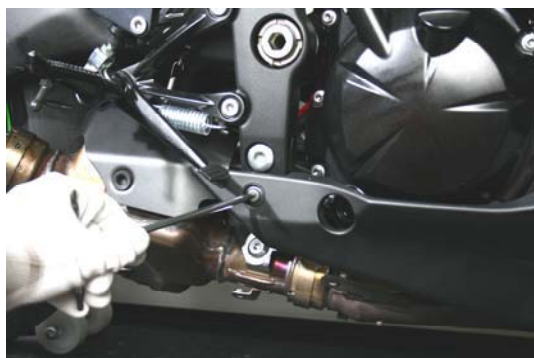


Figure 24



Figure 25



Figure 26



Figure 27



Figure 28



Figure 29

10. For **OPTIONAL LINK PIPE** only: loosen up the nuts of the header tube flanges so that you can remove the catalytic converter box (Figure 30).
WARNING: make sure not to damage the cooling fins of the water cooler or any other part of the motorcycle!



Figure 30

11. For **OPTIONAL LINK PIPE only**: unscrew the bolt from the metal clamp at the catalytic converter box - header tubes joint and catalytic converter box bracket (**Figure 31, 32**). Remove the catalytic converter box.



Figure 31



Figure 32

INSTALLATION OF THE AKRAPOVIC SLIP-ON EXHAUST SYSTEM:

1. For **OPTIONAL LINK PIPE only**: remove stock graphite gasket from stock collector and replace it with Akrapovic graphite gasket (**Figure 33**). Coat the bolt and interior side of the metal clamp with Akrapovic anti-seize lead-free copper paste (black tube) and correctly install the metal clamp and second graphite gasket into the link pipe (**Figure 34, 35**).

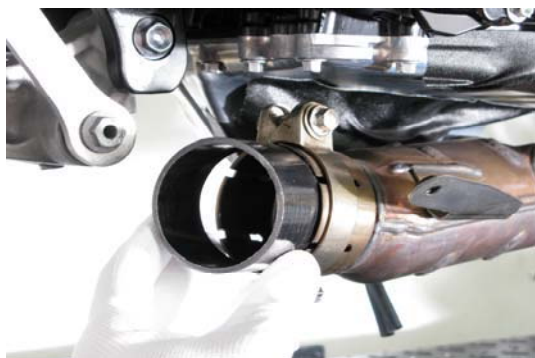


Figure 33



Figure 34



Figure 35

2. For **OPTIONAL LINK PIPE only**: slide the optional link pipe onto the stock collector and tighten the bolt of the link pipe bracket using stock bolt with Akrapovic nut and washer. Tighten the stock metal clamp of link pipe/collector joint (**Figure 36, 37, 38, 39**). Reinstall the lower part of the cowling (**Figure 40**). Check vehicle manufacturer manual for tightening torques (for dismantled stock parts).



Figure 36



Figure 37

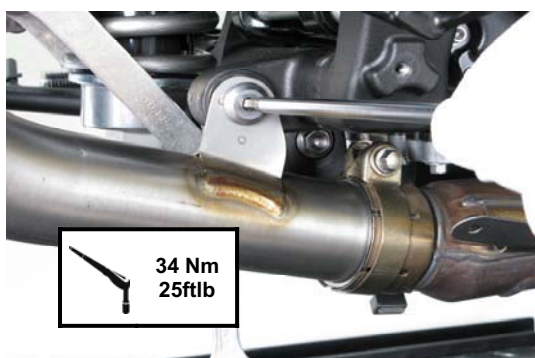


Figure 38

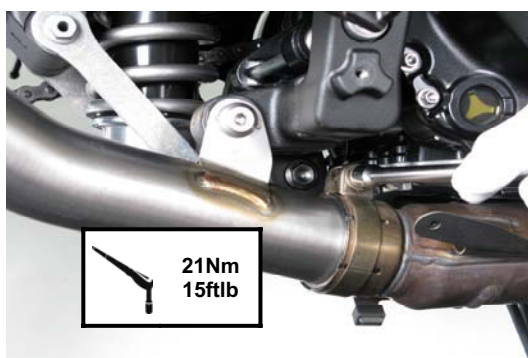


Figure 39



Figure 40

3. Remove stock graphite gasket and replace it with Akrapovic graphite gasket (**Figure 41**). Unscrew and remove stock catalytic converter box heat shield (**Figure 42, 43**).



Figure 41



Figure 42



Figure 43

4. Correctly install Akrapovic metal clamp with spring hook (**Figure 44, 45**). Reinstall the stock catalytic converter box heat shield (**Figure 46**).



Figure 44

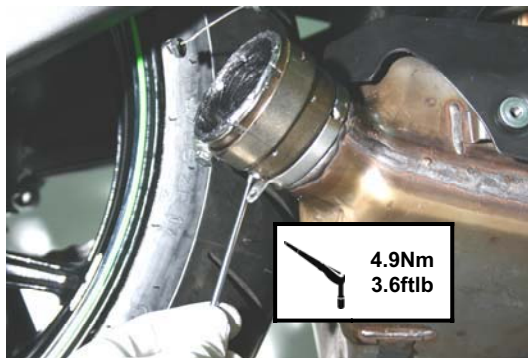


Figure 45

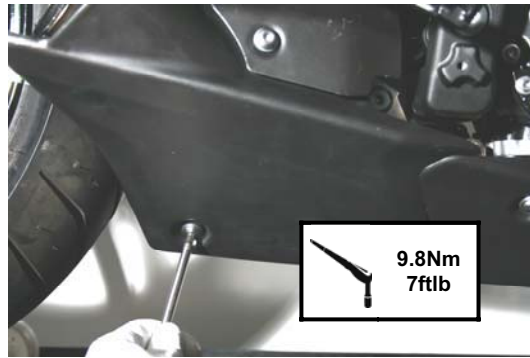


Figure 46

5. Correctly position the carbon-fiber clamp and slide it onto the muffler - bear in mind **the left offset** of the carbon-fiber clamp viewed from the end of the muffler (position sticker saying TZ3 or CZ3 should be on the inner side of the muffler). **WARNING: open the clamp slightly wider than the diameter of the outer sleeve of the muffler – do not scrape it along the muffler outer sleeve! (Figure 47, 48).**



Figure 47



Figure 48

6. Position the muffler with welded link-pipe correctly, slide it into the outlet side of the catalytic converter box outlet and attach the spring (Figure 49, 50). **WARNING: be careful not to damage graphite gasket during this process!**
WARNING: make sure, that spring pull the link pipe all the way into the outlet!



Figure 49

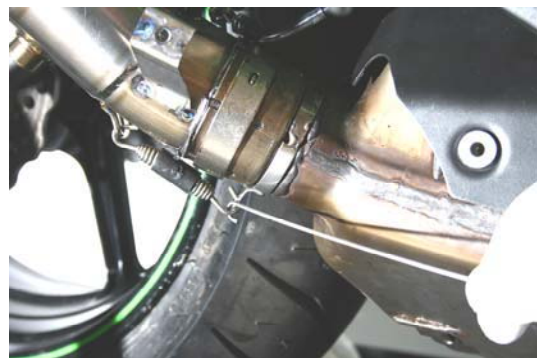


Figure 50

7. Attach and hand tighten the carbon-fiber clamp onto muffler bracket using bolt, nut and washer supplied in the Akrapovic kit as shown in figures (Figure 51, 52). Align the muffler in respect to the motorcycle. Tighten the carbon-fiber clamp and metal clamp of link pipe/collector joint (Figure 53, 54).



Figure 51



Figure 52

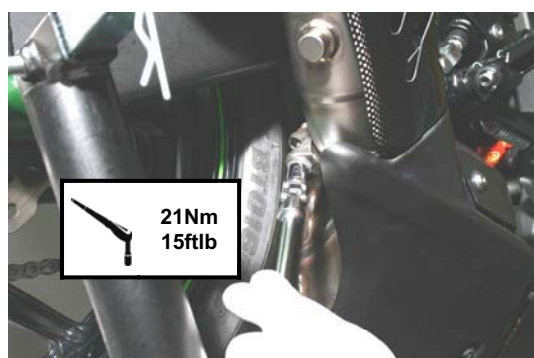


Figure 53



Figure 54

8. For **OPTIONAL LINK PIPE only**: tighten the metal clamp of muffler link pipe joint (Figure 55). Make sure that link pipe or muffler are not touching the swing arm or any other part of the motorcycle.



Figure 55

9. For **STREET LEGAL SLIP-ON only**: reinstall the cables onto the Akrapovic exhaust valve in the reverse order from the order in which they were removed (Figure 56, 57).



Figure 56

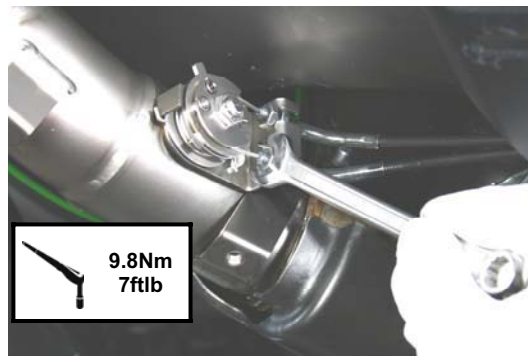


Figure 57

10. For **STREET LEGAL SLIP-ON only**: adjust the cable adjusters to original position, tighten the nuts and slide the rubber protection over adjusters (Figure 58, 59, 60).



Figure 58

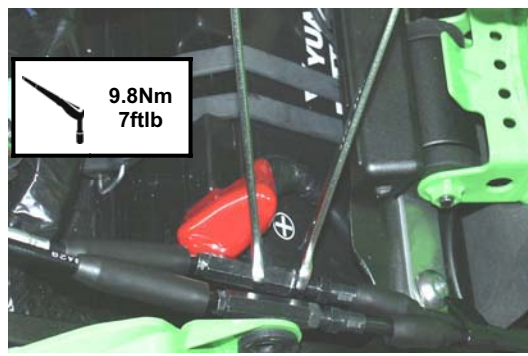


Figure 59



Figure 60

11. For **STREET LEGAL SLIP-ON only**: Install the heat / distance washers correctly (**Figure 61**). Correctly position and tighten the Akrapovic carbon-fiber heat shield valve protector onto the link pipe (**Figure 62, 63**).



Figure 61



Figure 62



Figure 63

Final installation:

1. Clean grease spots:
 - a. Muffler – carbon-fiber outer sleeve: use a soft dry cloth.
 - b. Muffler – titanium outer sleeve: use a soft cloth sprayed with a multi-purpose spray lubricant (WD-40 or equivalent).
 - c. Muffler – carbon-fiber outlet cap: use a soft dry cloth.
 - d. Stainless steel inlet cap and welded link pipe: use a soft cloth sprayed with a contact cleaner, then wipe with a soft dry cloth.
 - e. Titanium inlet cap and welded link pipe: use a soft cloth sprayed with a multi-purpose spray lubricant (WD-40 or equivalent).

Cleaning will prevent spots from burning onto the surface. Do not use aggressive chemical cleaners, because they can damage the sticker.

WARNING: after running engine for 30 minutes, retighten the bolts on the Akrapovic carbon-fiber heat shield!

Position of the correctly installed Akrapovic **SLIP-ON OPEN**, **SLIP-ON STREET LEGAL** and **SLIP-ON** with **OPTIONAL LINK-PIPE** systems (Figure 64, 65, 66).



Figure 64



Figure 65



Figure 66

2. Check the operation of the brakes and suspension. Make sure all the bolts are sufficiently tightened. In case the exhaust system touches the cowling or other parts repeat the adjustment of the exhaust system or contact your authorized dealer.

! IT IS NORMAL IF WHITE SMOKE COMES OUT OF THE MUFFLER ON FIRST OPERATION.

! DO NOT STAND BEHIND THE MUFFLER ON FIRST OPERATION.

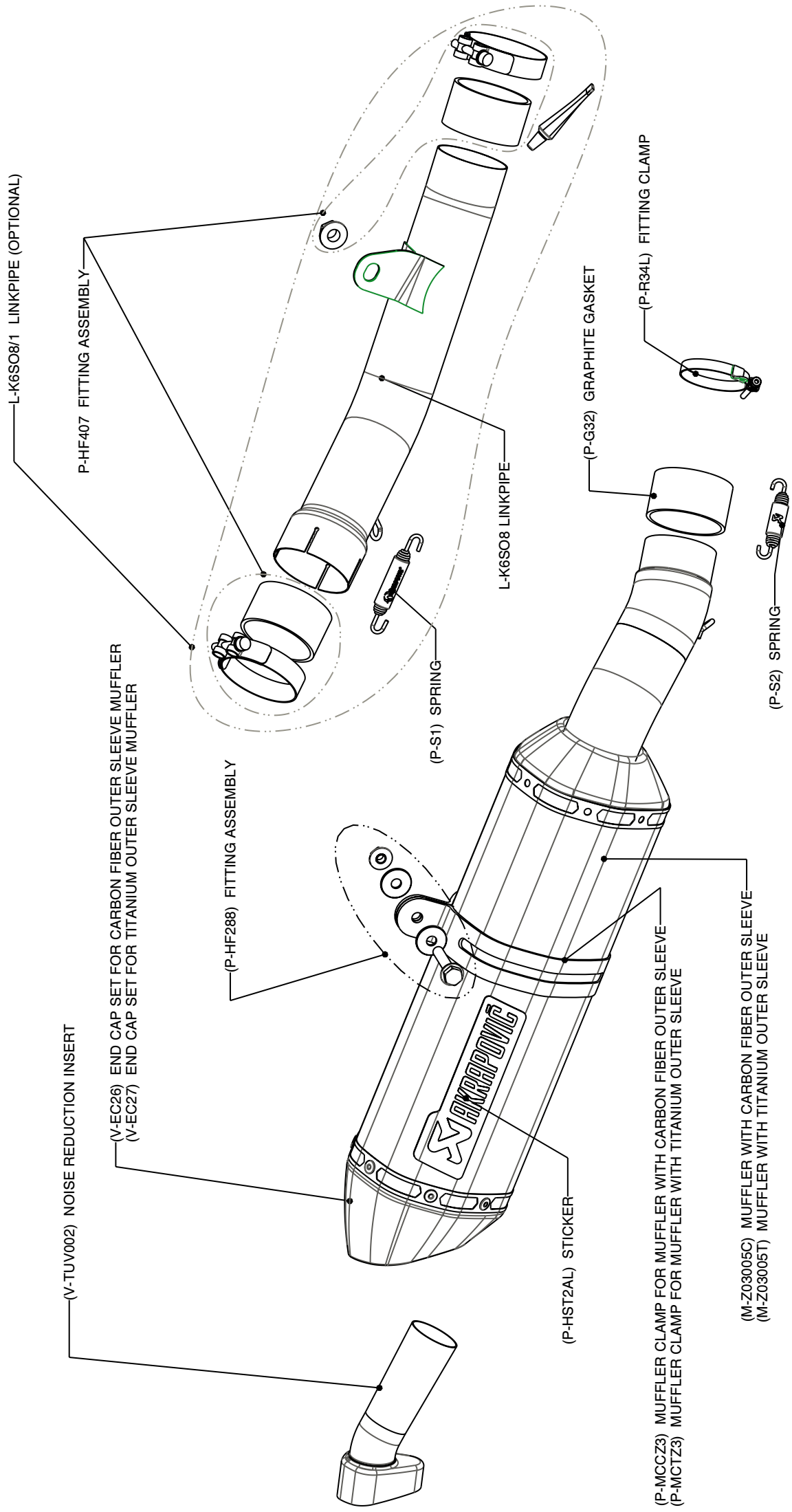
! DO NOT USE AUTOMOTIVE WHEEL CLEANERS OR ANY CLEANING PRODUCTS WHICH CONTAIN ACIDIC ADDITIVES TO CLEAN AKRAPOVIC EXHAUST SYSTEMS.

MAINTENANCE OF THE AKRAPOVIC EXHAUST SYSTEM

1. Clean the titanium exhaust components with a multi-purpose spray lubricant (WD-40 or equivalent), carbon fiber exhaust components with soft and dry cloth and stainless steel components with soft cloth sprayed with contact cleaner, then wipe with soft and dry cloth. Do not use aggressive chemical cleaners, because they can damage the sticker. A change in the color of the exhaust system is normal due to the high temperatures.
2. The wearing out of the muffler silencing material depends on the type of the engine and riding style. Contact your dealer/serviceman if visible changes appear on muffler's outer sleeve or the noise level is increased.
3. Periodically make sure all the bolts and springs are sufficiently tight.

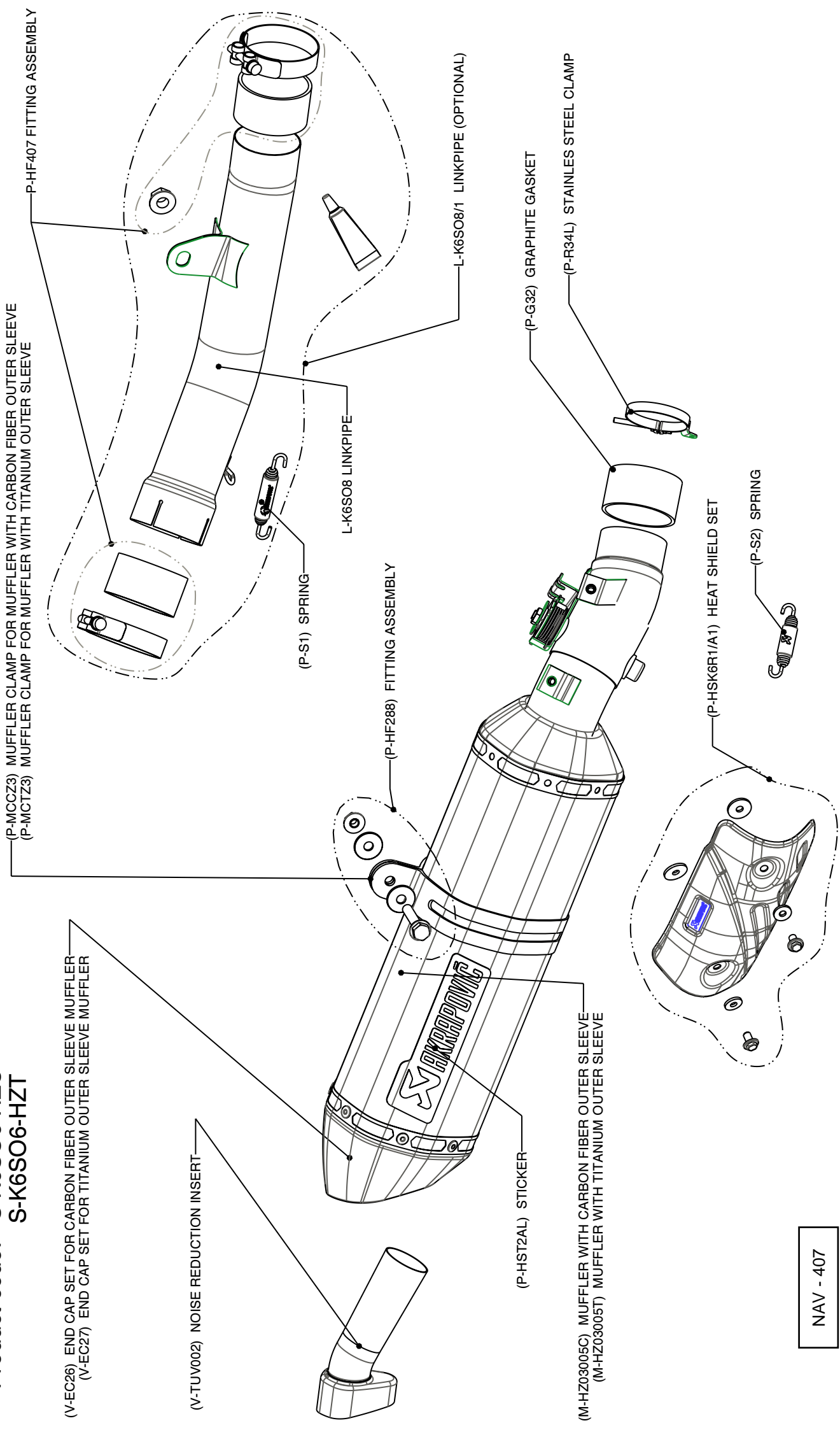
Kawasaki ZX-6R/ SLIP ON exhaust system, model year: 2009/ OPEN

Product code: S-K6SO6-ZC
S-K6SO6-ZT



Kawasaki ZX-6R / SLIP ON exhaust system, model year: 2009/ Street legal

Product code: S-K6SO6-HZC
S-K6SO6-HZT



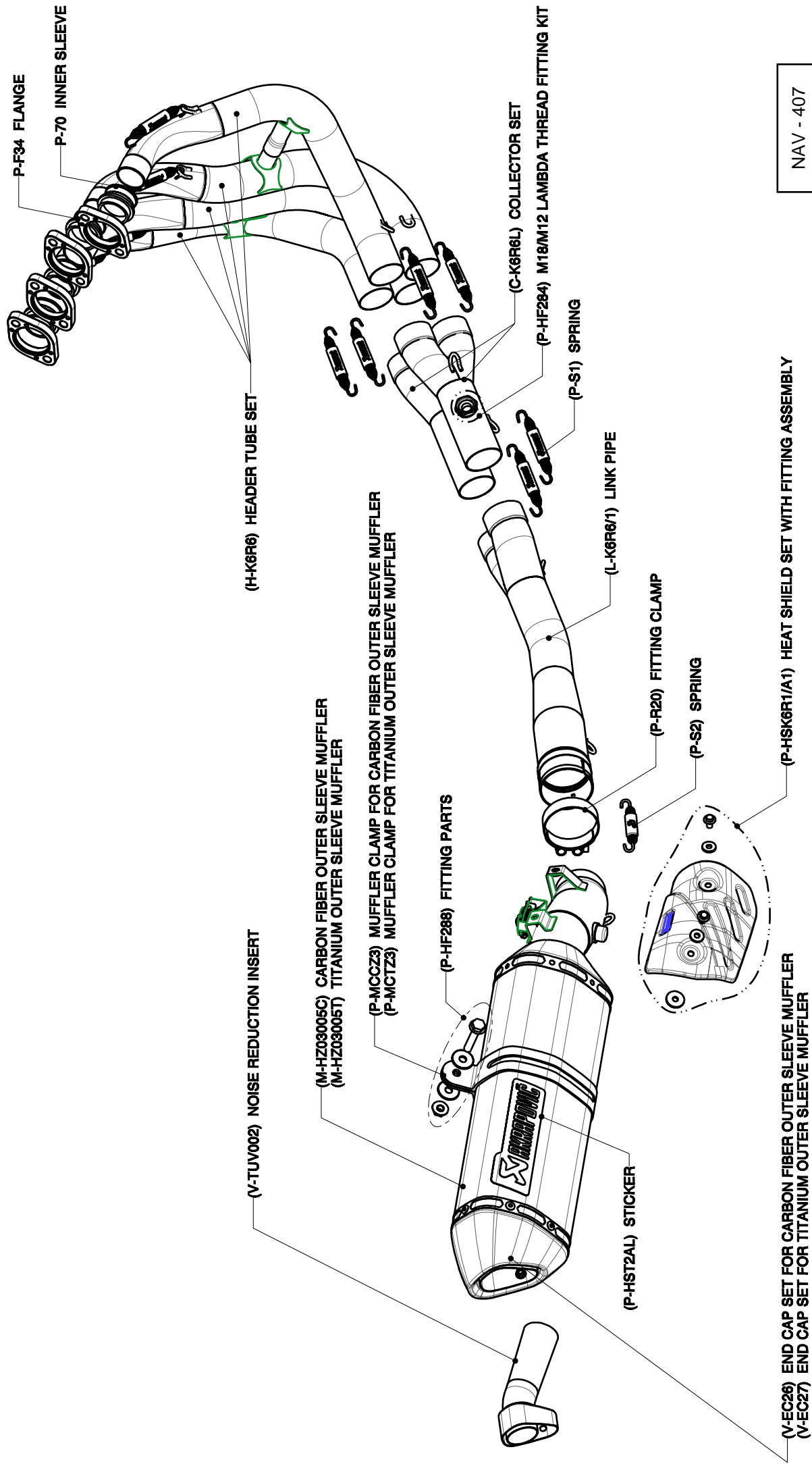
NAV - 407

WARNING! IN COMBINATION WITH OPTIONAL LINKPIPE, THE SLIP ON HOMOLOGATION IS NOT VALID!

KAWASAKI ZX-6R/ Complete exhaust system/ RACING LINE - SO-hom muffler, model year: 2009

Product code: S-K6R6-ZC/1
S-K6R6-ZT/1

WARNING! IN CASE OF COMBINATION WITH RACING TUBE SET, THE SLIP-ON HOMOLOGATION IS NOT VALID!



KAWASAKI ZX-6R/ Complete exhaust system/ EVOLUTION LINE - SO-hom muffler, model year: 2009

Product code: S-K6RFT6T-ZC/1
S-K6RFT6T-ZT/1

WARNING! IN CASE OF COMBINATION WITH EVOLUTION TUBE SET, THE SLIP-ON HOMOLOGATION IS NOT VALID!

