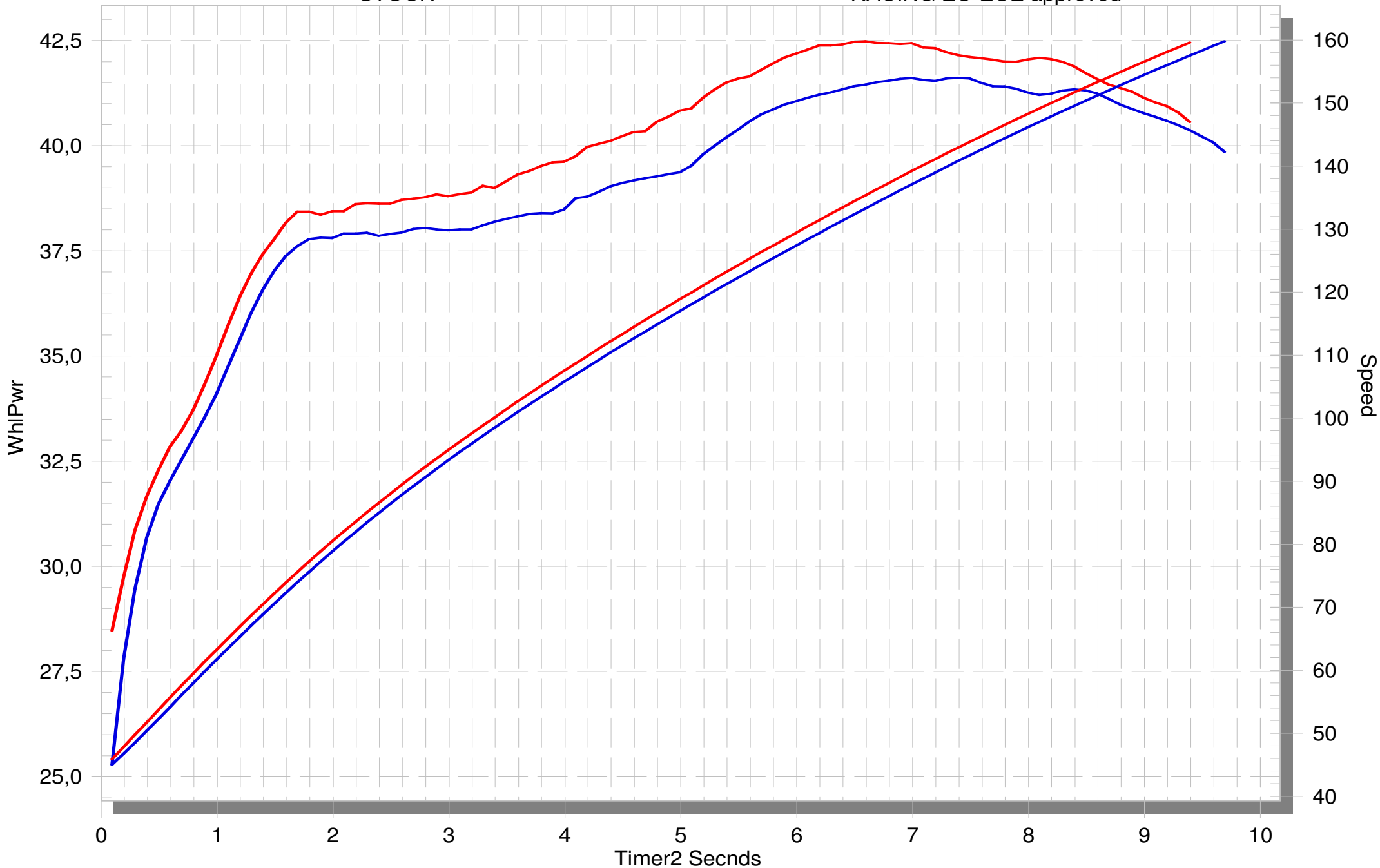
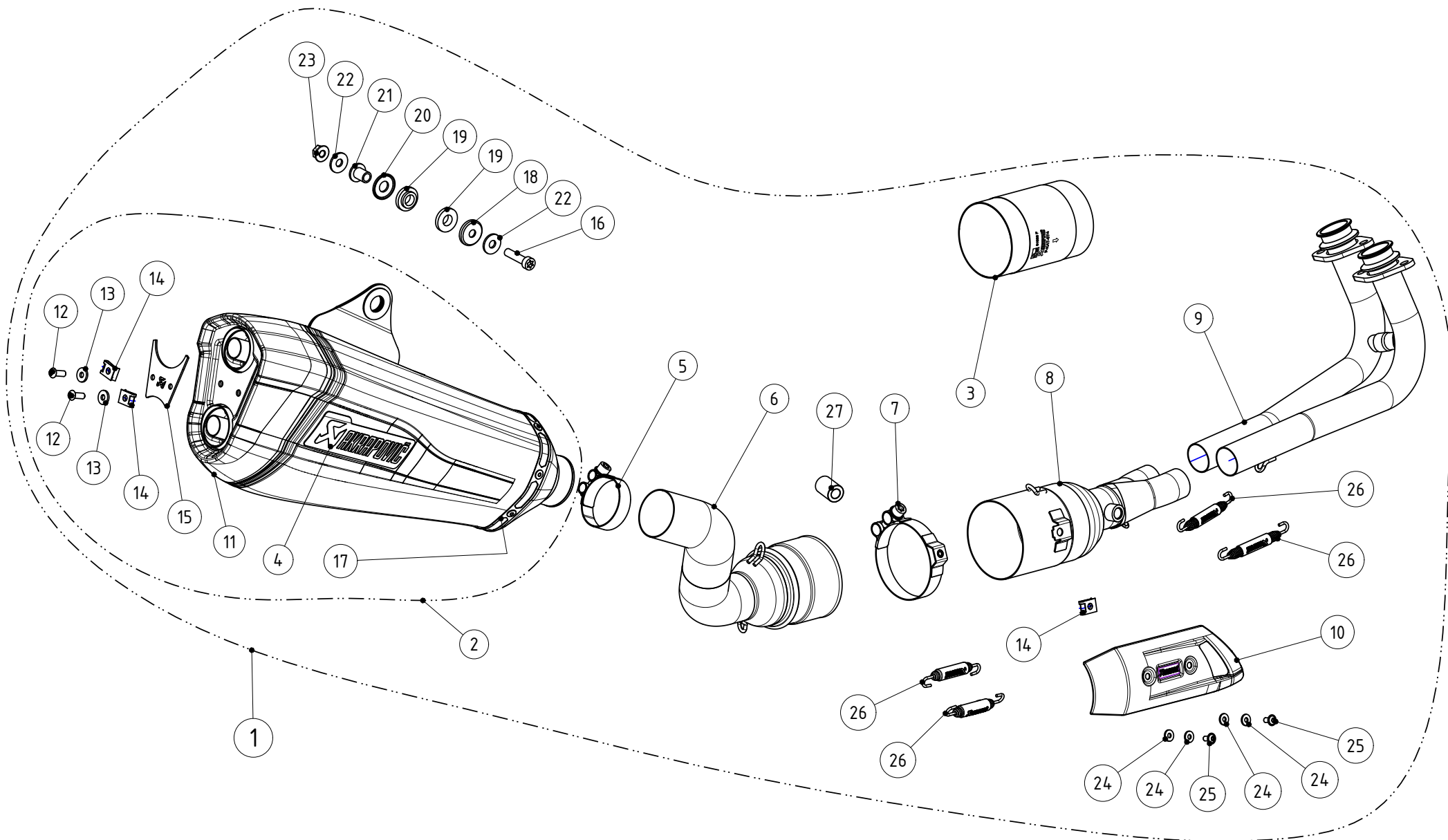


# Yamaha T-Max 560

 STOCK

 RACING EC-ECE approved





MUFFLER REPAIR KITS	
REPACK	28
SLEEVE	29

NOTE:  
 EC TYPE APPROVAL IS VALID ONLY WHEN CATALYTIC CONVERTER IS INSTALLED !

No.	SalesCode	Description	Qty.
1	S-Y5R6-HZEMT/1	racing system	1
2	M-HZEM00202T	muffler	1
3	P-KAT-083	catalytic converter	1
4	P-HST4ALMONO	sticker mono AL	1
5	P-R32	clamp SS	1
6	L-Y5R5	link pipe SS	1
7	P-R162	clamp	1
8	C-Y5R3/1	link pipe SS	1
9	H-Y5R1	header set SS	1
10	P-HSY5R1Y	heat shield (carbon)	1
11	V-EC274/1	end cap	1
12	P-FB127	bolt	2
13	P-DRH4/BAR316	heat resistant washer	2
14	P-FN1	nut	3
15	P-X189	bracket	1
16	P-FB156	screw FE	1
17	P-TT27	belt TI for TI sleeve	1
18	P-DR120	spacer bushe AL	1
19	P-GUV002	rubber insert	2
20	P-DR119	spacer bushe AL	1
21	P-DR121	spacer bushe SS	1
22	P-DR4	washer SS	2
23	P-FN4	nut	1
24	P-DRH2/BAR316	washer SS	4
25	P-FB157	bolt	2
26	P-S1/2	spring	4
27	P-DR158	spacer bushe AL	1
28	P-RPCK192	muffler repack kit	1
29	P-RKS659ZEM390	sleeve kit	1
30	V-TUV238/1	insert up SS	1
31	V-TUV237/1	insert down SS	1