



THE UNITED KINGDOM VEHICLE APPROVAL AUTHORITY

COMMUNICATION CONCERNING THE APPROVAL GRANTED ⁽¹⁾ TO A COMPONENT TYPE-APPROVAL CERTIFICATE IN RESPECT OF A NON-ORIGINAL EXHAUST SYSTEM FOR A TYPE OF MOTORCYCLE PURSUANT TO COUNCIL DIRECTIVE 97/24/EC – CHAPTER 9 AS LAST AMENDED BY 2009/108/EC.

EC Component type-approval No: e11*97/24/9/III*2009/108*0862*00

Report No: 13-00028-CM-MIL-00, by technical service TÜV SÜD Automotive, date 09 May 2013

Reason(s) for extension: Not applicable

1. Make of exhaust: Termignoni
2. Type of exhaust: MV09
3. Name and address of manufacturer:
Termignoni S.p.A.
via della Rampina, 1
I-15077 Predosa (AL)
Italy
4. If applicable, name and address of the manufacturer's authorised representative:
Not applicable
5. Make(s) and type(s) and any variant(s) or version(s) of the vehicle(s) for which the exhaust system is designed: See list enclosed
6. Date system submitted for testing: See enclosure
7. Component type-approval GRANTED: 25 June 2013
8. Place: BRISTOL

EAP278264



9. Date: 25 JUNE 2013

10. Signature: 

A.W.STENNING
Head of Technical and Quality Support Group

(1) Delete as appropriate





THE UNITED KINGDOM VEHICLE APPROVAL AUTHORITY

APPROVAL NUMBER: e11*97/24/9/III*2009/108*0862*00

INFORMATION PACKAGE CONTENTS

INDEX

REVISION NUMBER: Not applicable

Total number of sheets:	07 (Seven)
Number of separate drawings:	0 (Nil)
Number of separate photographs:	0 (Nil)

Reason for Revision: Not applicable

Revision date
&
Office stamp



EAP278264



Information Document relating to EC type approval as separate technical unit of exhaust systems for motorcycles (Directive 97/24/EC amended 2009/108/EC)

1. *Make (trade name of manufacturer):* TERMIGNONI
2. *Type and general commercial description:* MV09
3. *Name and address of manufacturer:* Termignoni S.p.A.
via della Rampina, 1
I-15077 Predosa (AL)
4. *Name and address of manufacturer's authorized representative:* *Not applicable*
5. *Parts list:* *Notice enclosure 1 of the test report*
6. *Make and motorcycle type of the field of application:* *See list enclosed*
7. *Restriction and instructions for installing:* *Notice assembly manual and field of application*

Further details according to directive 97/24/EC, chapter 9, annex III, enclosure 2 A including amendment 2009/108/EC are mentioned in the motorcycle homologation (notice enclosure 2 of the test report).



INFORMATION DOCUMENT
N° MV09/97/24 rev. 00

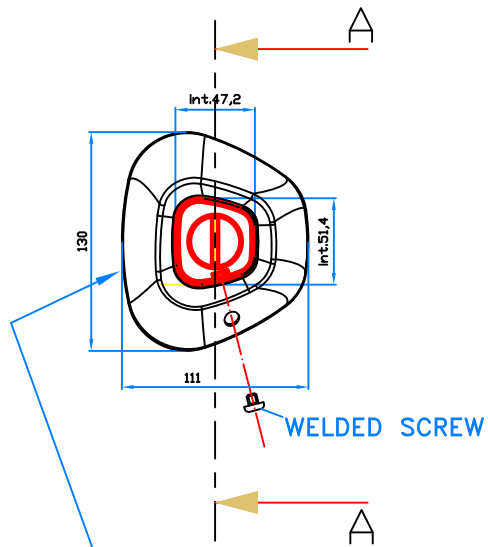
Date: 02/05/2013
Page 2/2

Information Document relating to EC type approval as separate technical unit of exhaust systems for motorcycles (Directive 97/24/EC amended 2009/108/EC)

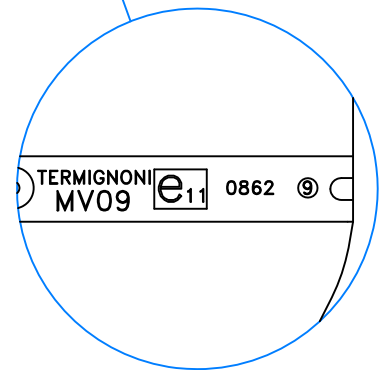
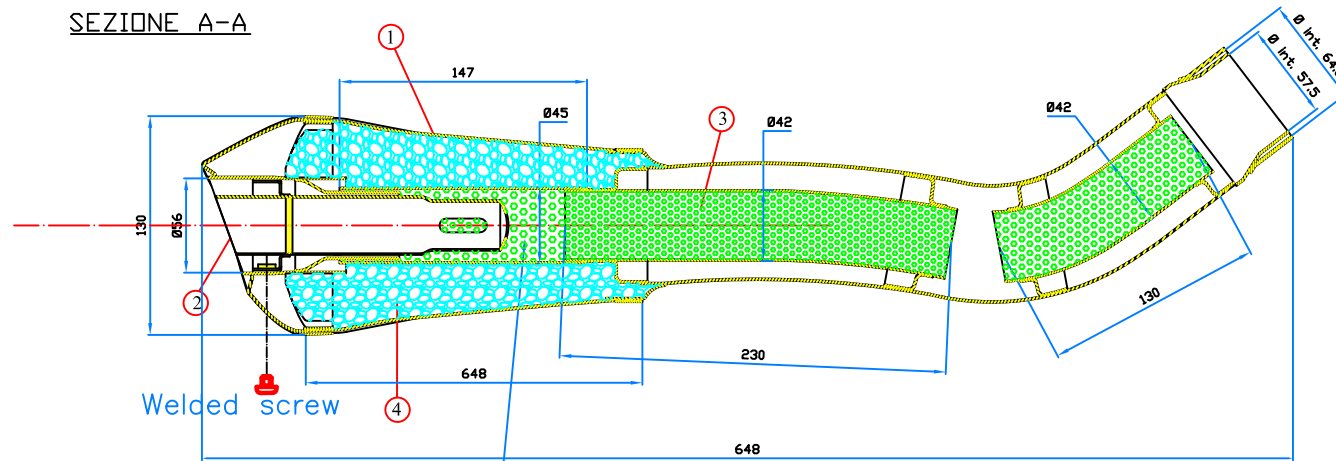
<i>Enclosures</i>	<i>Drawing no.</i>	<i>Date</i>
<i>Drawing of rear silencers</i>	MV09: SILENCER	02/05/2013
<i>Drawing of composition</i>	MV09: ASSEMBLY	30/04/2013
<i>Drawing of reduction</i>	MV09: TAPPO	29/04/2013
<i>List of vehicles</i>		
<i>Fitting instructions</i>		



General tolerance: ±1mm

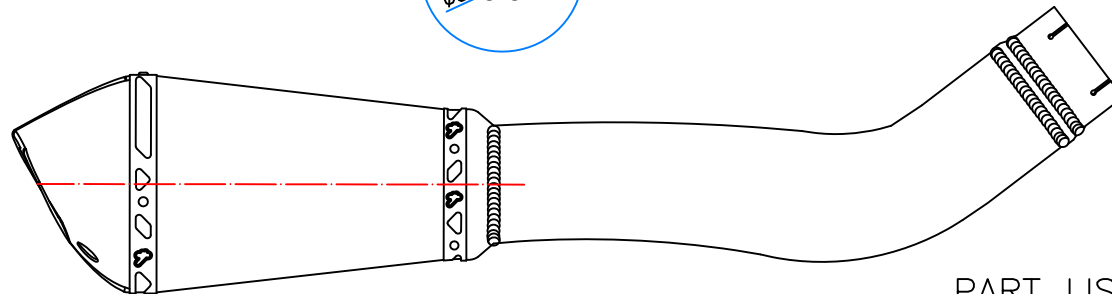


SEZIONE A-A



DETAIL (NOT IN SCALE)

TERMIGNONI
MV09 e11 0862



PART LIST

Nr	Part name	Material	Dimensions	QT
1	Shell	Stainless Steel	See Drawing	1x
	or	Titanium	See Drawing	1x
	or	Carbon fiber	See Drawing	1x
	or	Aluminium	See Drawing	1x
2	Outlet Pipe	Stainless Steel	See Drawing	1x
	or	Titanium	See Drawing	1x
3	Punched-holes pipe	Stainless Steel	∅ 45x0,8	1x
	or	Titanium	∅ 45x0,8	1x
4	Sound deadener	Fiberglass	635 gr.	1x

SCALE:

MODEL:

DATE: 02/05/2013

MV 675 BRUTALE
1 SIL. OM. Cod. MV09
MV09 e11 0862

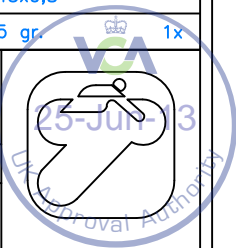
NAME: E. VRAPI

TYPE:

MV09: SILENCER

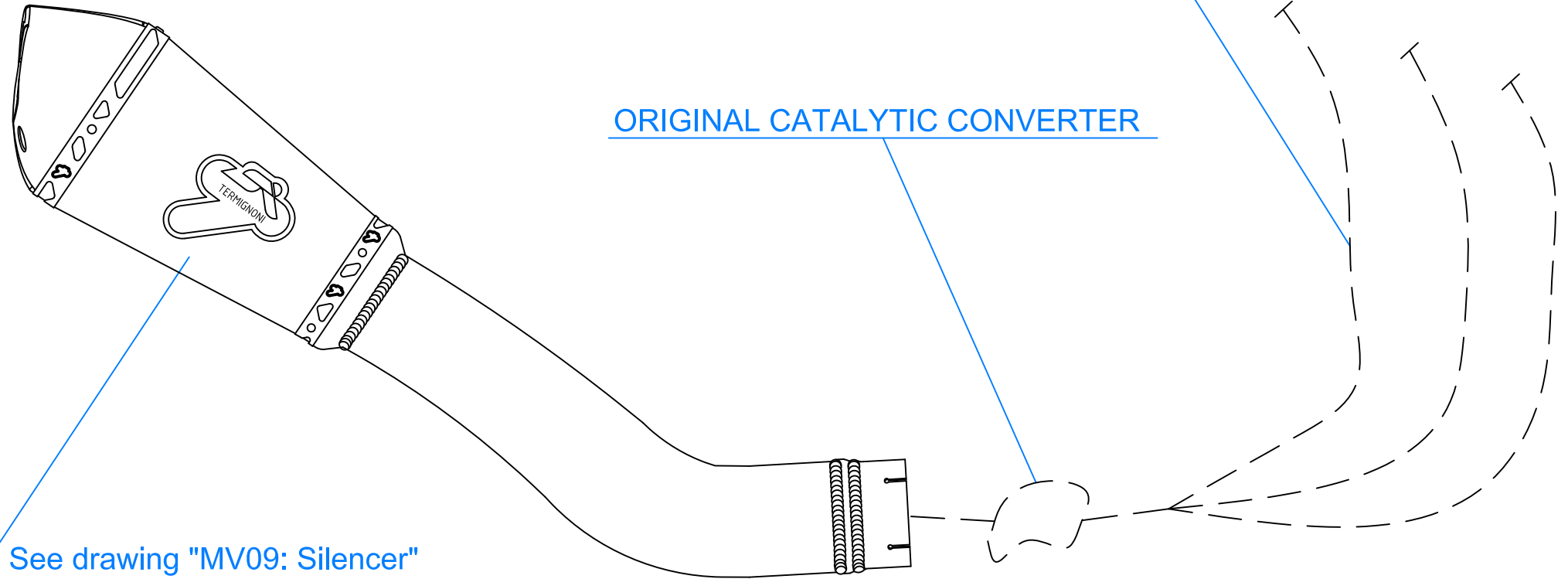
Termignoni

s.p.a.



ORIGINAL COLLECTORS

ORIGINAL CATALYTIC CONVERTER

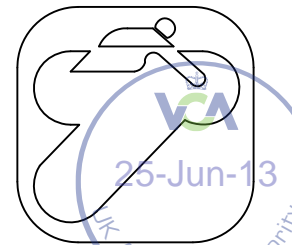


See drawing "MV09: Silencer"

SCALE:	MODEL:
DATE: 30.04.2013	MV 675 BRUTALE
DES: E. VRAPI	1 SIL. OM. cod. MV09
	MV09 e11 0862 ⑨
TYPE:	MV09 : Assembly

Termignoni

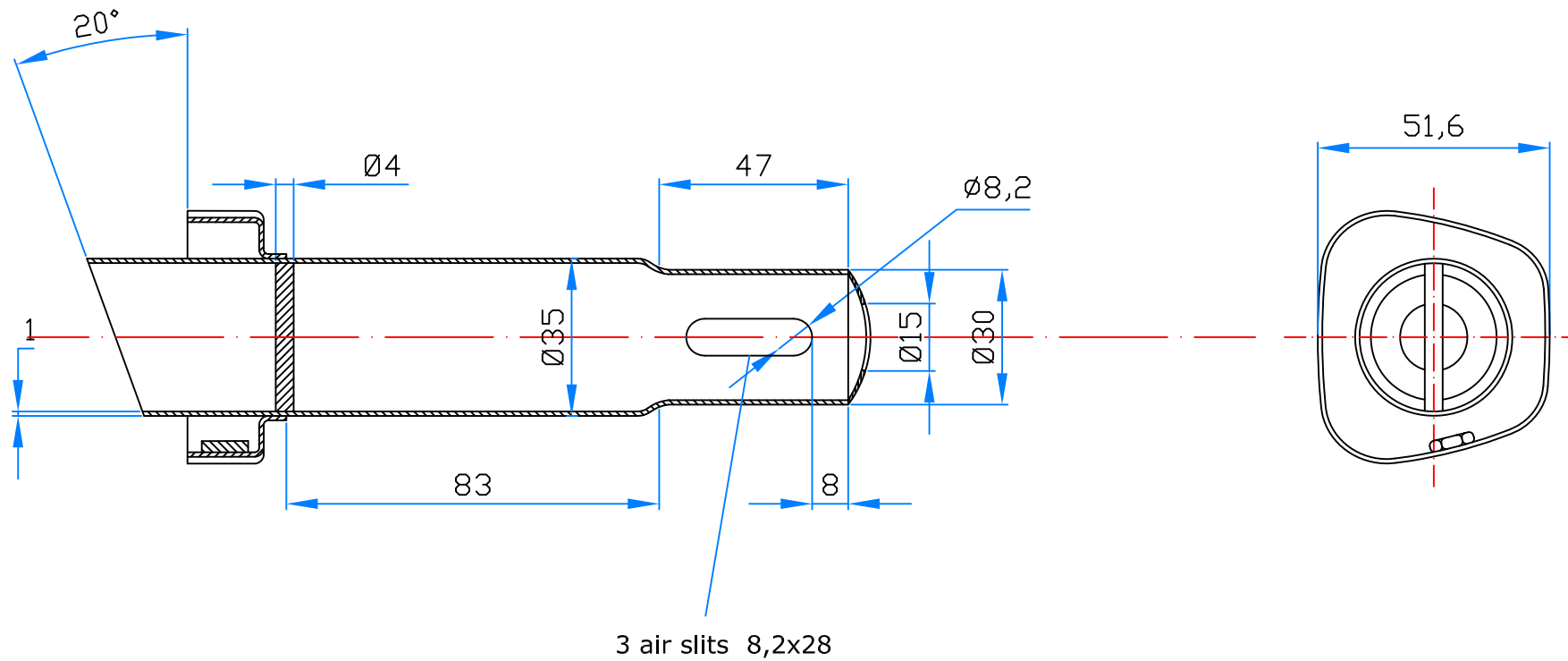
S.p.A.



info@termignoni.it

General tolerance: $\pm 1\text{mm}$

MATERIAL: S.Steel or Titanium



SCALA:	MODEL:
DATUM: 29/04/2013	MV 675 BRUTALE
NAME: E. VRAPI	1 SIL. OM. Cod. MV09
Tip: MV09: Tappo	MV09 e11 0862 ⑨



Cod. TERMIGNONI TER471

Termignoni

s.p.a.

info@termignoni.it

INFORMATION DOCUMENT N° MV09/97/24 rev. 00 - List of the vehicles

No. of vehicle	Manufacturer	Make	Commercial name	Vehicle type (and no. of homologation)	Engine type	Stroke	Engine capacity in cm ³	Rated maximum engine power in kW/min ⁻¹	Additional remarks:	Composition as shown in enclosure no. 1
1)	MV Agusta Motor S.p.A.	MV Agusta	Brutale 675	B3 (e3*2002/24*0590)	B31	4	675	81,0/12500	with cat *)	1) 2) 3) 4)
2)			F3 675	F3 (e3*2002/24*0587)	F31			94,2/14400		

*) The original catalytic converter remain in the original exhaust system. A degradation of catalyst efficiency is not expected.





Termignoni s.p.a.
Via della Rampina, 1
15077 PREDOSA (AL) Italy
Telef. +39 0131.71666
Fax +39 0131.71696
www.termignoni.it
Part. IVA - C.F. 00862780061
Iscriz. C.C.I.A.A. AL 130295
Iscriz. Tribunale Reg. Soc. 7721
N. Export AL 009063
C.C. IT 00862780061
Cap. Soc. € 1.000.000,00 int. vers.

FITTING INSTRUCTIONS

For Termignoni exhaust systems

A. Dismantling the original exhaust system

1. Remove any casing impeding clear access
2. Detach the silencer support(s) and the original silencer from the branch pipe and/or exhaust manifold

B. Fitting Termignoni silencer(s)

1. Fit the Termignoni silencer(s) to the original branch pipe, or use the Termignoni branch pipe to fit the exhaust manifold
2. Attach the silencer(s) with the mounting(s) supplied with the vehicle, leaving the screws and bolts loose
3. Adjust the exhaust system so that when fully inserted it is at least 5 mm from any other component of the vehicle
4. Tighten all screws and bolts
5. Test the vehicle and check all connections, tightening the screws and bolts if necessary
6. After about 100 km check all the connections again and tighten the screws and bolts if necessary

WARNING:

Take care when working on the exhaust system after testing the vehicle since the surfaces could be very hot



Techn. Report No.: 13-00028-CM-MIL-00
Manufacturer: Termignoni S.p.A.
Type: MV09

Page 1/5

TEST REPORT

No. 13-00028-CM-MIL-00

about a test of a non-original exhaust system or a component
as a separate technical unit for motorcycles according to the directive of the Council of the
European Community for adaptation to the laws of the Member States relating to the
permissible sound level, pollution and exhaust systems for two or three-wheel motor vehicles

No. 97/24/EC including the amendment 2009/108/EG
Concerning chapter 9, annex III

0. General information

- 0.1. Make: TERMIGNONI
- 0.2. Type: MV09
- 0.2.1. Variants n.a.
- 0.3. Name and address of manufacturer: Termignoni S.p.A.
Via della Rampina, 1
I-15077 Predosa (AL)
Italy
- 0.4. Name and address of authorized agent: n.a.
- 0.5. No. of information document: MV09/97/24
Date: 02.05.2013
- 1.0. Class of the vehicles the unit is used for: L3e
- 1.1. Description of the vehicles
the unit is used for: Notice enclosure 2

Techn. Report No.: 13-00028-CM-MIL-00
Manufacturer: Termignoni S.p.A.
Type: MV09

Page 2/5

2. Composition of the separate technical unit

- 2.1. Kind of technical unit: Non-original exhaust system, consisting out of one silencer on the right, maximum shape 130x111 mm, total length 648 mm (with endcap), absorption-reflection principle with an outlet pipe \varnothing 28 mm according to drawing no. MV09: Tappo in combination with original header system. Aluminium-alternatively stainless steel alternatively titanium alternatively carbon fiber-cover.
- 2.2. Place of marking: On the silencer, see drawing MV09: Silencer
- 2.3. Assembly of the exhaust system for testing (No. of parts, enclosure 1): Notice 3.4
- 2.4. Position and direction of the tail pipe: On the rear right side of the vehicle
- 2.5. Test samples submitted for testing at: 29/04/2013

3. Test report

The tests were carried out in 1 series A on 29/04/2013

3.1. Vehicle

- (0.1) Make: MV Agusta
- 3.1.1. Type / Variant / Version: B3/11/AA
- 3.1.1.1 Model: Brutale 675
- 3.1.2. Manufacturer: MV Agusta Motor S.p.A.
- 3.1.3. Homologation no.: e3*2002/24*0590*
- 3.1.4. Vehicle identification no.: *ZCGB310AADV000650*
- 3.1.5. Year of manufacture: 2013
- 3.1.6. Kilometers: 3332
- 3.1.7. Total weight: 259 kg

Techn. Report No.: 13-00028-CM-MIL-00
Manufacturer: Termignoni S.p.A.
Type: MV09

Page 3/5

3.2. Engine

- 3.2.1. Manufacturer: MV Agusta Motor S.p.A.
Trade name: --
- 3.2.2. Type: B31
- 3.2.3. Engine capacity: 675 cm³
- 3.2.4. Rated maximum engine power: 81,0 kW at 12500 min⁻¹

3.3. Transmission

- 3.3.1. Kind of transmission: Manual
- 3.3.4. Gearbox: 6 gears
- 3.3.5. Transmission ratios:
primary / final Notice vehicle homologation no.
s. 3.1.3
- Top speed: Notice vehicle homologation no.
s. 3.1.3
- Tires:
front 120/70 ZR17 M/C
rear 180/55 ZR17 M/C

3.4. Assembly of the exhaust system (no. of parts, enclosure 1):

1) 2) 3) 4)

3.5. Acoustic measurements

- 3.5.1. Manufacturer of the sound level meter: Brüel & Kjaer
- 3.5.2. Type of the sound level meter: 2236
- 3.5.3. Drive by noise, stationary noise:
according to the Council Directive No. 97/24/EC with the amendment 2009/108/EC
chapter 9 III.
- 3.5.4. Load condition during drive by test: Unloaded weight plus driver
- 3.5.5. Deviation at calibration: < 0.2 dB(A)

Techn. Report No.: 13-00028-CM-MIL-00
Manufacturer: Termignoni S.p.A.
Type: MV09

Page 4/5

3.6. Power measurement

3.6.1. Testing of max. power with non-original exhaust system:

The tested max. power und the engine speed are in the 5% tolerance in comparison with the original exhaust system. (see enclosure)

3.6.2. Testing of top speed with non-original exhaust system:

Not applicable, because vehicle class: Motorcycle L3e

3.7. Conditioning

by pulsation

3.8. Pollution Test

Emission test has not been carried out because the non original exhaust system does change neither cathalyst then vehicle performance.

3.9. Test results

- The results of
- 3.9.1. Noise testing
 - 3.9.2. Power measurement
 - 3.9.3. Top speed
- are attached in the enclosure.

All motorcycles with the same serial exhaust system and same or fewer performance mentioned in enclosure 2, can be taken into the field of application due to the measurement with the above named motorcycle/s.

- 3.9.5. The described non-original exhaust system / technical unit is suitable for an application at the vehicles listed in enclosure 2.
- 3.9.6. The general specifications concerning 97/24/EC capt.9 annex III point 3.5.1 were checked and fulfilled regarding the technical possibilities by the non-original exhaust system / technical unit.

Techn. Report No.: 13-00028-CM-MIL-00
Manufacturer: Termignoni S.p.A.
Type: MV09

Page 5/5

4. Enclosures

Enclosure 1, Composition of the non original exhaust system + original parts
Enclosure 2, Field of application
Enclosure 3, Test results
Information Document

5. Summary

The named information document and the described type correspond to the Directive 97/24/EC including the amendment 2009/108/EG chapter 9, annex III.
There are no technical objections against granting an EC Type-approval.
The technical service is accredited for the named testing procedure by the Kraftfahrt-Bundesamt, Federal Republic of Germany, by the KBA-Accreditation.

München, 09.05.2013
The Expert



Pietro Vergani
Prüflabor DIN EN ISO/IEC 17025

ENCLOSURE 1

To test report no.

13-00028-CM-MIL-00

Type:

MV09

Manufacturer:

Termignoni S.p.A.

Composition of the non original exhaust system + original parts

Page 1/1

No.	Components parts, dimensions in mm	Dimensions of the part in mm or original part / replacement part	Part no. or homologation no.
1)	Collectors	Original parts	--
2)	Catalytic converter	Original parts	--
3)	Reduction	Notice drawing	MV09: Tappo
4)	Silencer (outlet pipes \varnothing 28)	One silencer on the right, maximum shape 130x111 mm, total length 648 mm (with endcap), absorption-reflection principle with an outlet pipe \varnothing 28 mm	MV09: Silencer

ENCLOSURE 2

To test report no.
Type:
Manufacturer:

13-00028-CM-MIL-00
MV09
Termignoni S.p.A.

Field of application

Page 1/1

No. of vehicle	Manufacturer	Make	Commercial name	Vehicle type (and no. of homologation)	Engine type	Stroke	Engine capacity in cm ³	Rated maximum engine power in kW/min ⁻¹	Additional remarks:	Composition as shown in enclosure no. 1
1)	MV Agusta Motor S.p.A.	MV Agusta	Brutale 675	B3 (e3*2002/24*0590)	B31	4	675	81,0/12500	with cat *)	1) 2) 3) 4)
2)			F3 675	F3 (e3*2002/24*0587)	F31			94,2/14400		

*) The original catalytic converter remain in the original exhaust system. A degradation of catalyst efficiency is not expected.

ENCLOSURE 3

To test report no.
Type:
Manufacturer:

13-00028-CM-MIL-00
MV09
Termignoni S.p.A.

Test results

Page 1/1

No. of vehicle	Engine power original kW/min ⁻¹	Engine power non original kW/min ⁻¹	Vmax original km/h	Vmax non original km/h	measured in gear ratio	Limit Value **)	Original measured	Non original measured	at km/h	Vehicle type hom.	Original measured	Non original measured	at min ⁻¹
1) A*	81,0/12500	77,9/12500	-	-	2/3	80	80	80	50	99	100	99	6250

*) *Test series*

**) *Limit value of directive which was valid by vehicle type homologation*